



CHILD TRAY
FOR ELEMENT™ STROLLER



IMPORTANT - READ CAREFULLY AND KEEP FOR FUTURE REFERENCE

WARNING

- Only use child tray accessory for children 9 months and older.
- To prevent injury to your child, take care when inserting child tray into frame.
- To prevent your stroller from becoming unstable, do not place more than 3 lbs. on the child tray.
- Only use accessories and/or replacement parts supplied by the manufacturer.

IMPORTANT - À LIRE ATTENTIVEMENT ET À CONSERVER POUR RÉFÉRENCE

MISE EN GARDE

- Utilisez seulement ce plateau pour enfant avec des enfants de 9 mois et plus.
- Pour prévenir les blessures à votre bébé, faites attention lorsque vous insérez le plateau dans l'armature.
- Pour éviter de déséquilibrer votre poussette, évitez de déposer des articles pesant plus de 1,4 kg (3 lb) sur le plateau pour enfant.
- Utiliser uniquement des accessoires ou pièces de rechange fournis par le fabricant.

IMPORTANTE - LEA DETENIDAMENTE ESTAS INSTRUCCIONES Y GUÁRDELAS PARA CONSULTARLAS EN EL FUTURO

ADVERTENCIA

- Solo debe usar el accesorio de la bandeja para niños con niños de 9 meses en adelante.
- Para prevenir lesionar a su niño, tenga cuidado al insertar la bandeja para niños en la estructura.
- Para evitar que la carriola se vuelva inestable, no coloque más de 1,3 kg (3 libras) de peso sobre la bandeja para niños.
- Utilice únicamente accesorios y/o piezas de repuesto suministrados por el fabricante.

WICHTIG - SORGFÄLTIG LESEN UND FÜR EINE SPÄTERE VERWENDUNG AUFBEWAHREN

WARNHINWEIS

- Verwenden Sie die Kinderablage nur bei Kindern ab 9 Monaten.
- Damit es zu keinen Verletzungen an Ihrem Kind kommt, seien Sie vorsichtig, wenn Sie die Kinderablage am Gestell befestigen.
- Legen Sie höchstens 1,4 kg (3 lbs) auf die Kinderablage, damit der Kinderwagen stabil bleibt.
- Verwenden Sie nur vom Hersteller geliefertes Zubehör und/oder gelieferte Ersatzteile.

ΣΗΜΑΝΤΙΚΟ - ΔΙΑΒΑΣΤΕ ΠΡΟΣΕΚΤΙΚΑ ΚΑΙ ΚΡΑΤΗΣΤΕ ΓΙΑ ΜΕΛΛΟΝΤΙΚΗ ΑΝΑΦΟΡΑ

ΠΡΟΕΙΔΟΠΟΙΗΣΗ

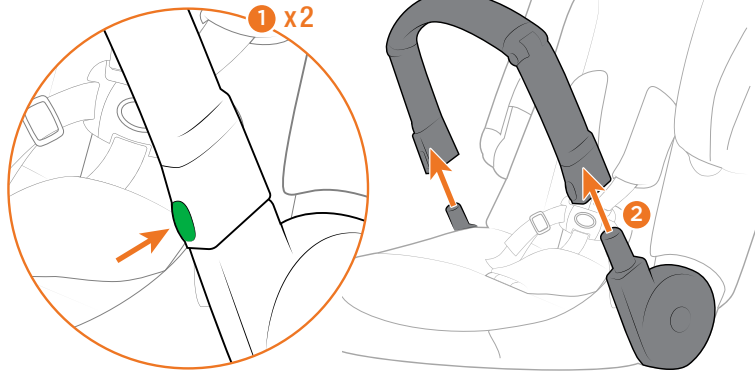
- Χρησιμοποιείτε τον δίσκο παιδιού μόνο όταν το παιδί είναι 9 μηνών ή μεγαλύτερο.
- Για να αποφύγετε τον τραυματισμό του παιδιού σας, προσέχετε όταν τοποθετείτε τον δίσκο πάνω στον σκελετό.
- Για να αποφύγετε την αστάθεια του καροτσιού σας, μην τοποθετείτε πάνω από 3 λίβρες στον δίσκο του παιδιού.
- Χρησιμοποιείτε μόνο τα αξεσουάρ ή/και τα ανταλλακτικά που προμηθεύει ή συνιστά ο κατασκευαστής.

TABLE OF CONTENTS

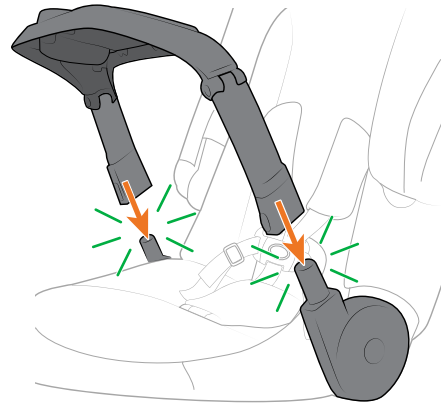
Warnings	3	Avertissements	3	Advertencias	3	Warnhinweise	4	Προειδοποιήσεις	5
Table of Contents	5	Table des matières	5	Índice	5	Inhaltsverzeichnis	5	Πίνακας περιεχομένων	5
1 Attaching Tray to Stroller	6	1 Installer le plateau sur la poussette	6	1 Montaje de la bandeja en el carrito	6	1 Befestigung der Ablage am Kinderwagen	6	1 Προσάρτηση δίσκου στο καρότσι	6
2 Removing Tray from Stroller	6	2 Retirer le plateau de la poussette	6	2 Extraer la bandeja del carrito	6	2 Entfernen der Ablage aus dem Kinderwagen	6	2 Αφαίρεση δίσκου από το καρότσι	6
Care & Maintenance	7	Entretien et nettoyage	8	Cuidado y mantenimiento	9	Pflege und Wartung	10	Φροντίδα και Συντήρηση	11
Limited Warranty	7	Garantie limitée	8	Garantía limitada	9	Befristete Garantie	10	Περιορισμένη εγγύηση	11
Personal Record Card	7	Fiche de renseignements personnels	8	Tarjeta de registro personal	9	Persönliche Registrierkarte	10	Κάρτα προσωπικού ιστορικού	11

ATTACHING CHILD TRAY

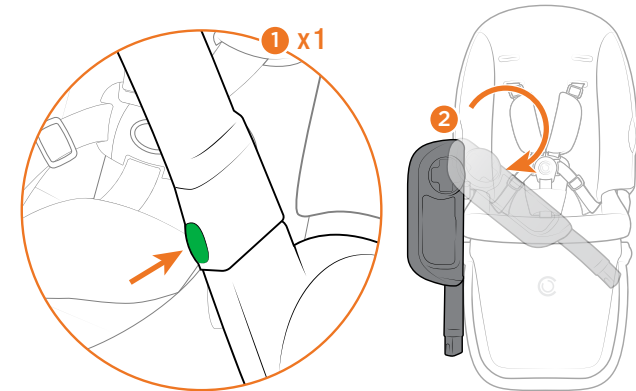
1-1



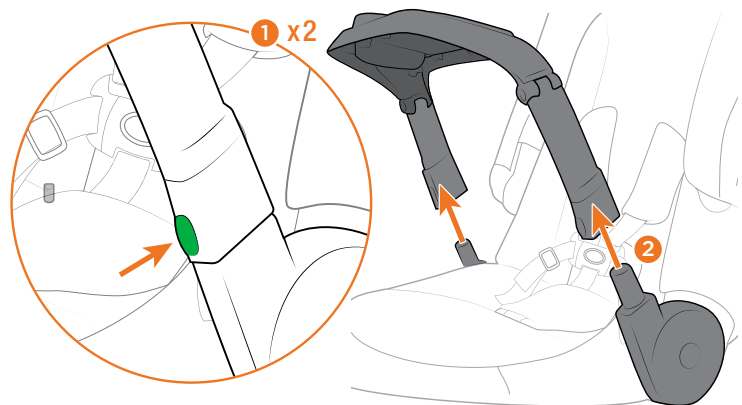
1-2



CHILD IN / OUT



TO REMOVE



CARE & MAINTENANCE

- Clean metal parts with a damp cloth and wipe dry.
- If tray becomes wet, wipe with a soft cloth to prevent rusting.
- When storing stroller, never stack other items on top of or in it; this may damage the stroller.
- Periodically check for worn parts, loose screws, or torn materials and stitching.
- Replace any damaged parts immediately.

LIMITED WARRANTY

Contours® warrants this product to be free of defects in materials and workmanship, as follows: For a period of ONE YEAR from the date of purchase, Contours will repair or replace, at its option, the defective product. If you have a problem or are not satisfied with this product, please contact the Consumer Service Department at Contours.

REPAIR OR REPLACEMENT AS PROVIDED UNDER THIS WARRANTY IS THE EXCLUSIVE REMEDY OF THE CONSUMER. CONTOURS SHALL NOT BE LIABLE FOR ANY INCIDENTAL OR CONSEQUENTIAL DAMAGES FOR BREACH OF ANY EXPRESS OR IMPLIED WARRANTY ON THIS PRODUCT, EXCEPT TO THE EXTENT REQUIRED BY APPLICABLE LAW. ANY IMPLIED WARRANTY OF MERCHANTABILITY OR FITNESS FOR A PARTICULAR PURPOSE ON THIS PRODUCT IS LIMITED TO THE DURATION OF THIS WARRANTY.

Some states do not allow the exclusion or limitation of warranties set forth above, so the above exclusions may not apply to you. This warranty gives you specific legal rights, and you may also have other rights which vary from state to state. We sincerely thank you for your purchase of this Contours product.

To obtain warranty service, please call Contours Consumer Service Department at 1-888-226-4469 in U.S. and Canada, 1-312-361-6493 outside U.S. and Canada or contact us via email at customerservice@contoursbaby.com

If the product is returned to Contours Consumer Service Department for repair or replacement, it must be shipped prepaid and adequately insured.

For further information visit www.contoursbaby.com

Recall WEBSITE: HELP KEEP YOUR CHILD SAFE. Check www.recall.gov to see if any products you use with your child or any of your child's toys have been recalled.

PERSONAL RECORD CARD

Once in a while, we are less than perfect and one of our products with a problem reaches a customer. In most cases, we can solve your problem with replacement parts. Please contact us before you return one of our products to the store.

If you have a question about your product, please have the following available when you call:

- Product model number
- Date of manufacturing

You can find the Model Number and Date of Manufacture on a label located on the bottom of the tray. Having this information ready will expedite your service call.

Contours® - United States
1100 W Monroe St
Chicago, IL 60607

1-888-226-4469
customerservice@contoursbaby.com

Contours® - Europe
Windmolen 22
7609 NN Almelo
The Netherlands

+31 548 659096 / europe@contoursbaby.com

Model / Style Number: _____

Date of Manufacture: _____

Date of Purchase: _____