

Contours Quick[®]

LIGHTWEIGHT STROLLER



Scan for instructional video



Escanee para obtener
instrucciones en español

Model # ZL044
S148-R3 05/2023

⚠️ WARNING

Failure to follow these warnings and the assembly instructions could result in serious injury or death. **Avoid serious injury from falling or sliding out. Always use restraint system.** Your child's safety depends on you. Proper stroller use cannot be assured unless you follow these instructions. **DO NOT USE STROLLER UNTIL YOU READ AND UNDERSTAND THESE INSTRUCTIONS. KEEP INSTRUCTIONS FOR FUTURE USE.**

IMPORTANT SAFETY INFORMATION:

How to Keep Your Child Safe While Using this Stroller

- **Adult assembly required.**
- **Never leave your child unattended while in stroller.** Accidents can happen quickly while your back is turned. You must always keep your child in view while your child is in the stroller, even when sleeping. Do not use this product as a bed. Your child may become tangled in straps or pads and suffocate.
- **Always use restraint system to keep child from standing up or falling out of the stroller.**
- **Always lock the stroller open before allowing your child in or near the stroller. This prevents injuries caused by stroller collapsing.**
- Only use this stroller with children who weigh no more than 50 lb (22.67 kg). Use by larger children may damage the stroller or cause a hazardous, unstable condition to exist.
- **Always set the wheel brakes when stroller is not moving, especially on an incline.** This prevents the stroller from rolling away.

What to Avoid While Using this Stroller

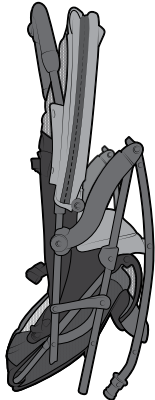
- **Always balance the weight of the stroller evenly.** To prevent the stroller from becoming unstable, do not place parcels or accessory items on the stroller canopy, seat, or over the handle. Do not allow children to play with or hang onto the stroller.
- **Never use this stroller on stairways or escalators.**
- **This is not an exercise stroller!** Do not use this product while running, jogging, in-line skating, or participating in other athletic activities.
- **Take care when folding and unfolding to prevent finger pinching.**
- **Make sure children are clear of any moving parts** if you adjust the stroller; otherwise, they may be injured.
- **DO NOT** allow children to climb into stroller unassisted. Stroller may tip over and injure child.
- Only use replacement parts and accessories supplied by the manufacturer.
- **DO NOT put child in basket.**
- To prevent the stroller from becoming unstable or tipping, do not put more than 10 lb (4.54 kg) in the basket.
- Product may become unstable if a storage bag other than the one recommended by the manufacturer is used.

WARNING

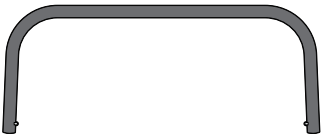
How to Use this Stroller with Your infant car seat

- Use only compatible car seats with this stroller. For a list of compatible car seats, please view product information at ContoursBaby.com.
- For correct use with compatible infant car seats, refer to page 10 of instructions.
- If at any time your infant car seat does not secure properly to the stroller, or if you have questions about assembly or use of the stroller, **DO NOT** use this product. Call Contours at 1-888-226-4469.
- **Only transport infants that are within the size and weight limitations of your infant car seat, as described in the instruction manual provided by the infant car seat manufacturer.**
- When using this product, to avoid serious injury from falling or sliding out, infant must always be secured in the Infant Car Seat with the Car Seat harness. Refer to Infant Car Seat Instructions for proper adjustment.
- ALWAYS place straps on car seat near leg side of handle. Never place near head side of handle.
- DO NOT place car seat in stroller without using stroller car seat straps.
- When installing and removing the car seat, please keep a hand on the infant car seat carrier arm while adjusting or unbuckling the car seat strap. Car seat may have moved while in use.
- **Make sure the stroller seat is fully reclined to ensure infant car seat is secure before placing your infant car seat in stroller.**
- ALWAYS place the car seat facing the care giver.
- Remove napper bar/tray from stroller prior to assembling the car seat. Car seats are not intended to be used with the napper bar/tray assembled on the stroller.

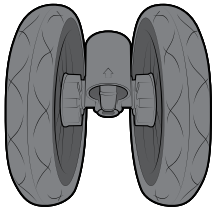
PARTS LIST



STROLLER FRAME WITH BASKET



REAR BASKET TUBE



FRONT WHEELS (2)



REAR BRAKE ASSEMBLY



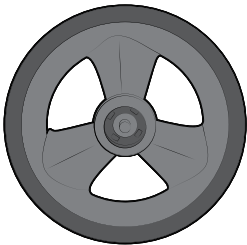
WASHERS (4)



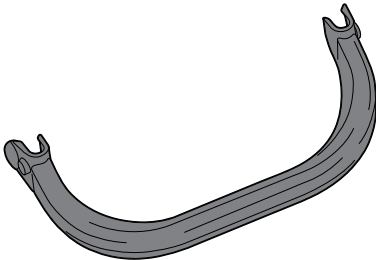
COTTER PINS (2)



HUB CAPS (2)



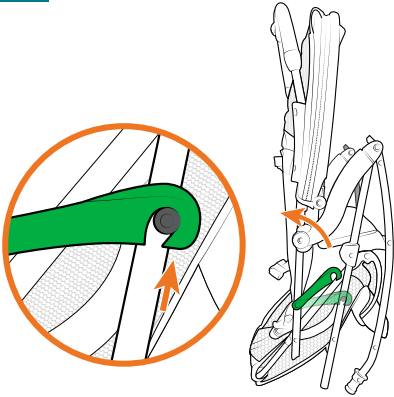
REAR WHEELS (2)



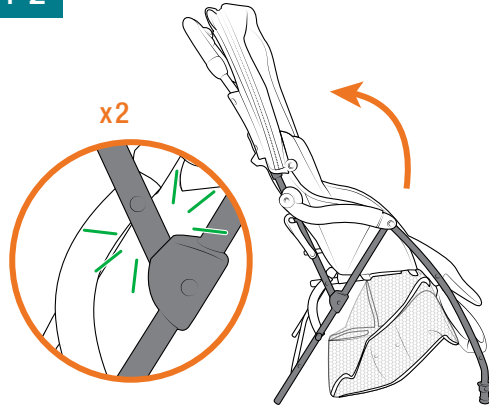
NAPPER BAR

OPEN STROLLER

1-1

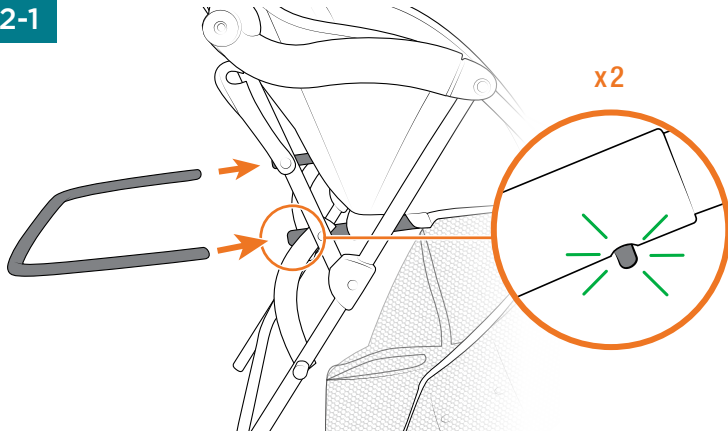


1-2

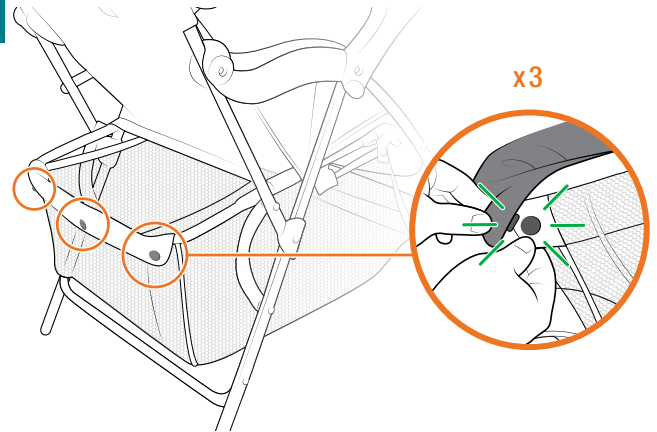


ATTACH STORAGE BASKET

2-1

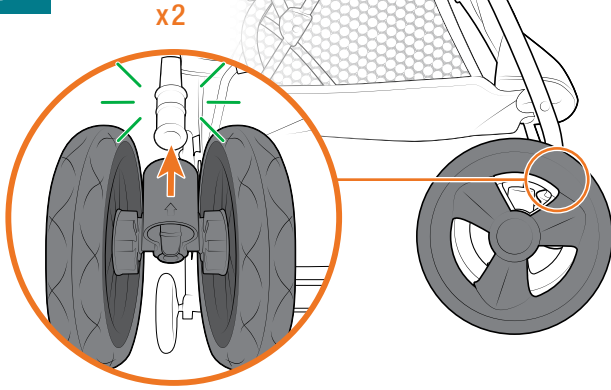


2-2

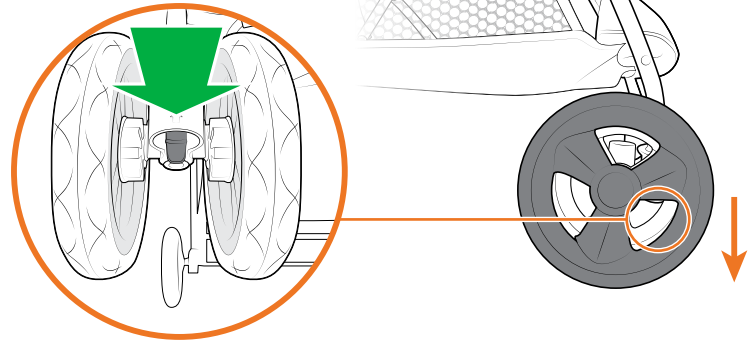


ATTACH FRONT WHEELS

3-1

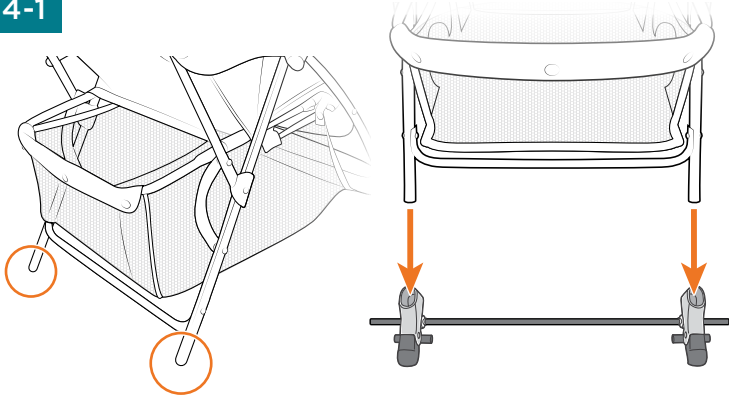


TO REMOVE

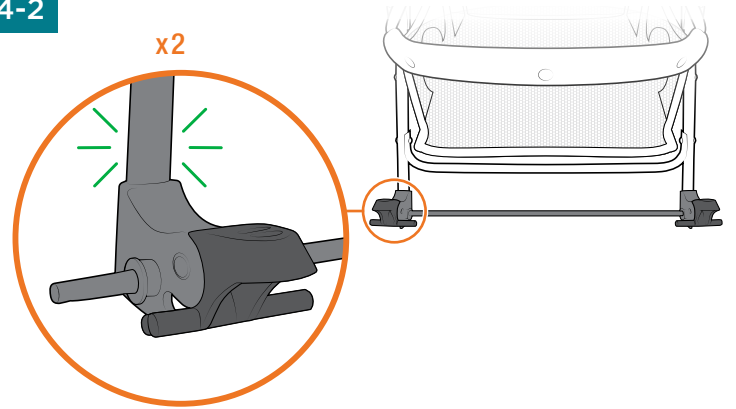


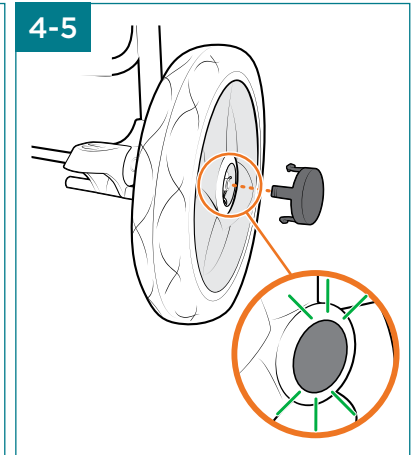
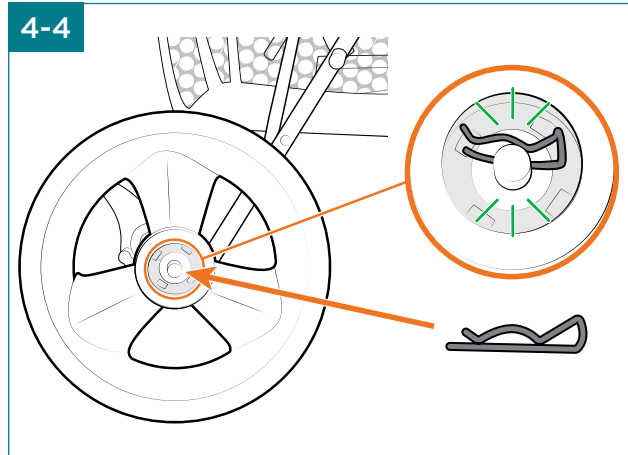
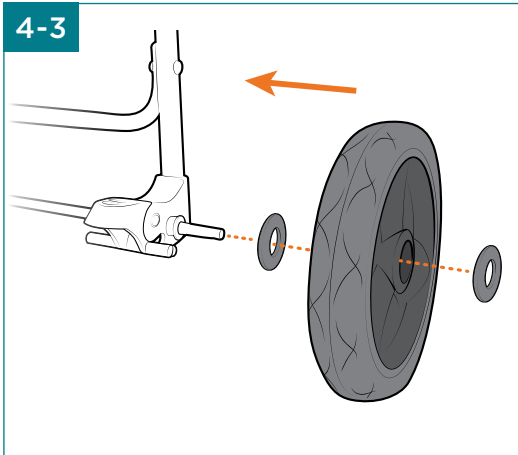
ATTACH REAR WHEELS

4-1

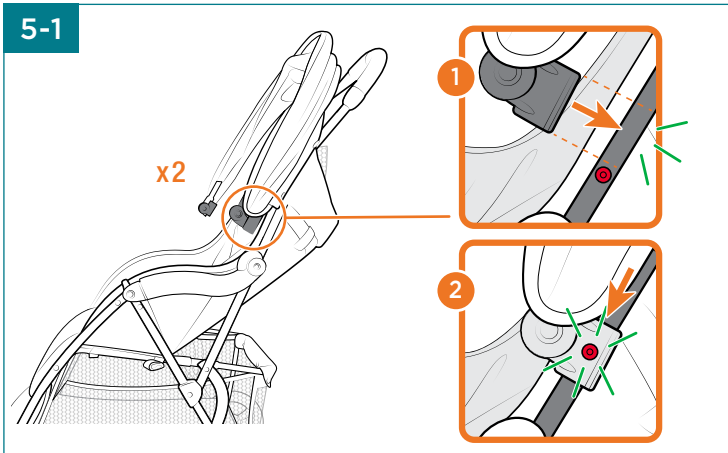


4-2

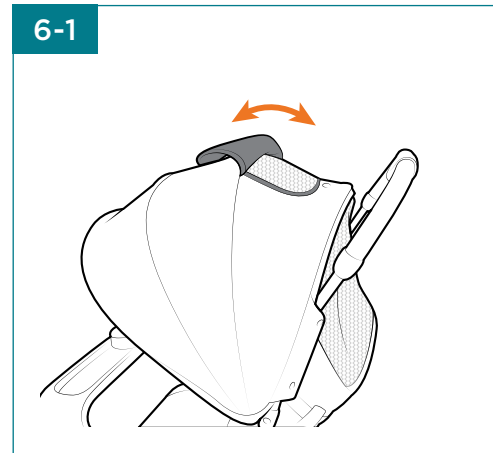




ATTACH CANOPY

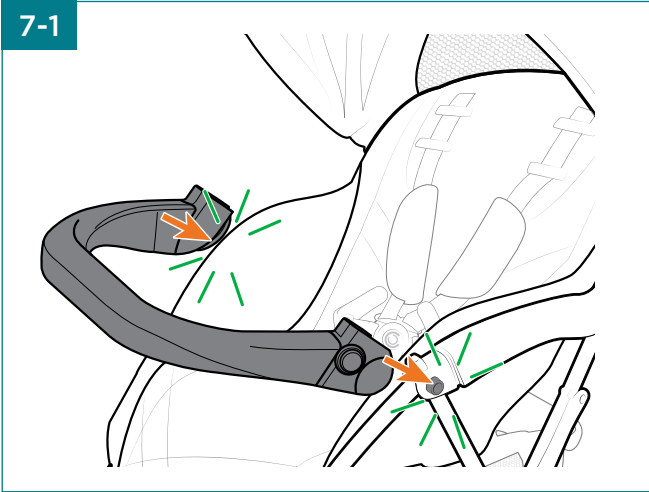


ADJUST CANOPY

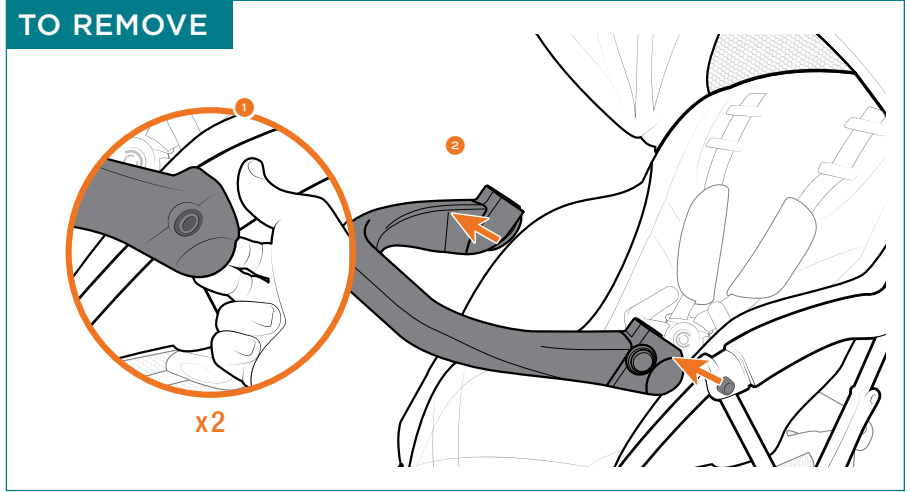


ATTACH NAPPER BAR

7-1

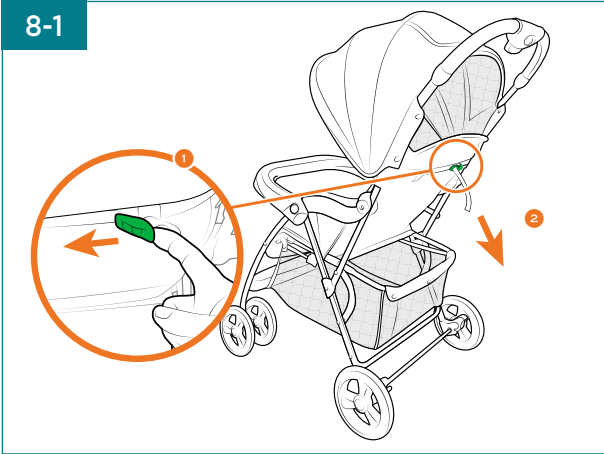


TO REMOVE



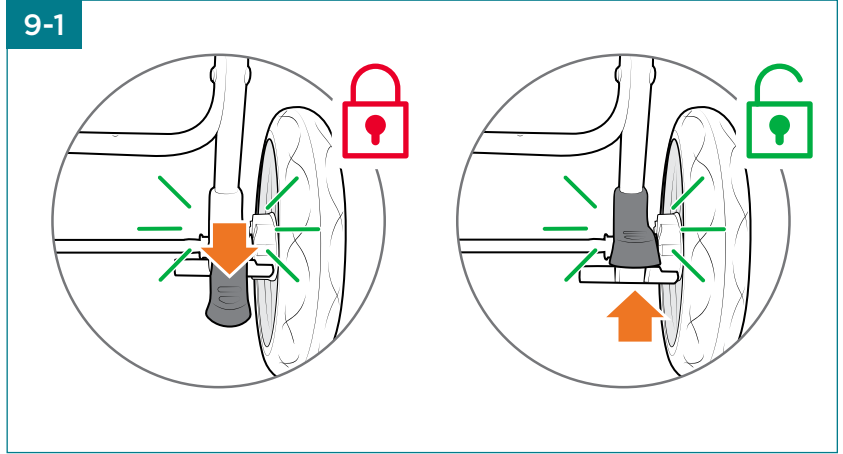
RECLINE SEAT

8-1



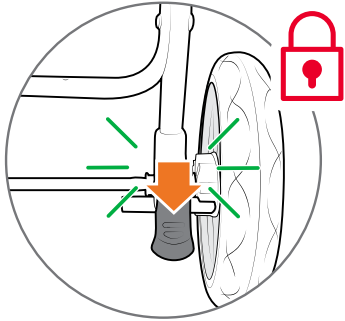
OPERATE BRAKES

9-1

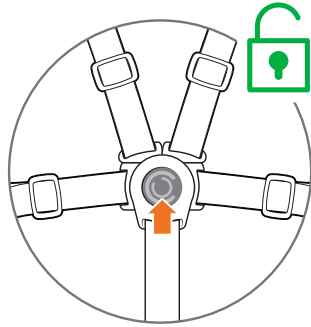


SECURE CHILD IN SEAT

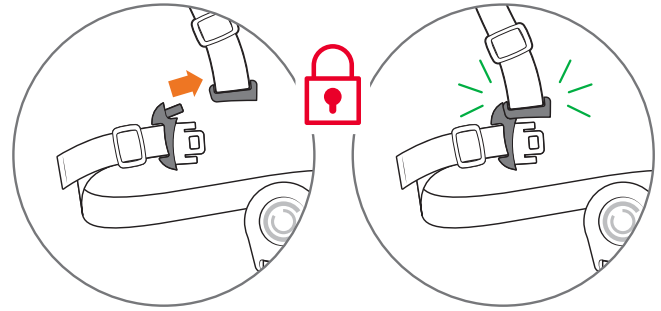
10-1



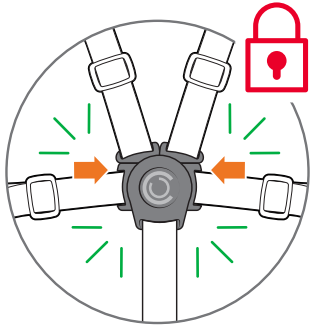
10-2



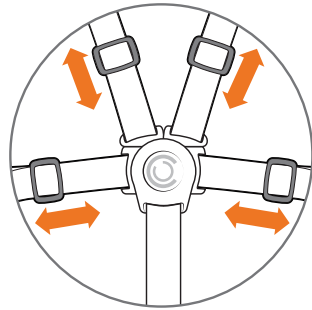
10-3



10-4

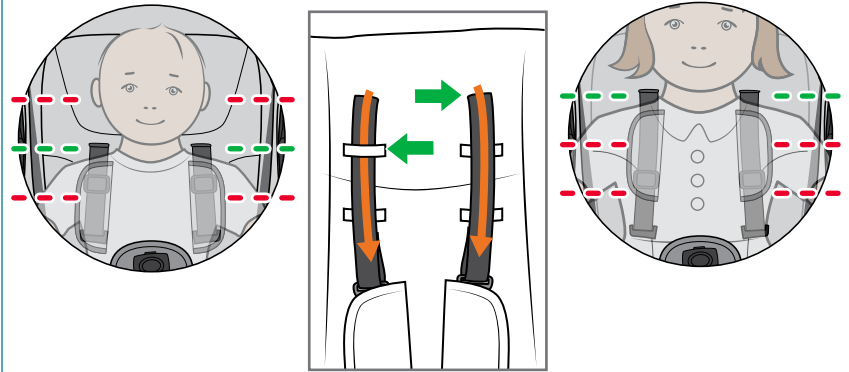


10-5



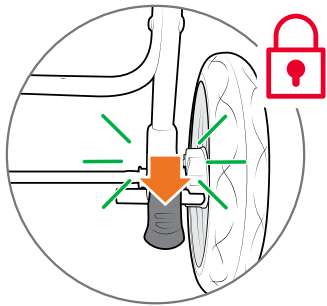
ADJUST SHOULDER STRAP HEIGHT

11-1

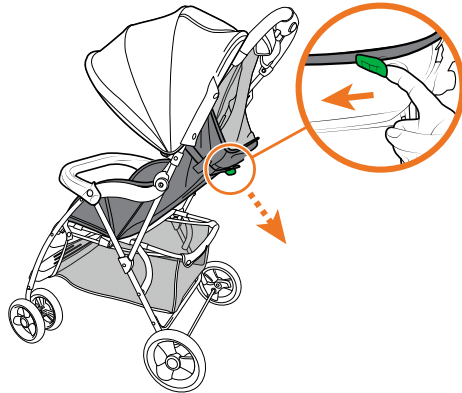


INSTALL INFANT CAR SEAT

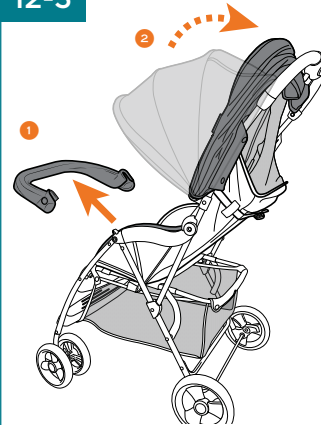
12-1



12-2

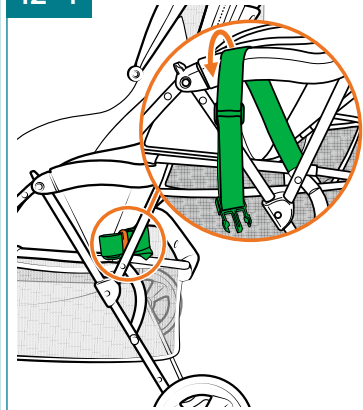


12-3



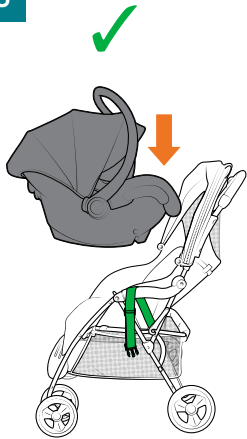
Remove napper bar, fold canopy

12-4

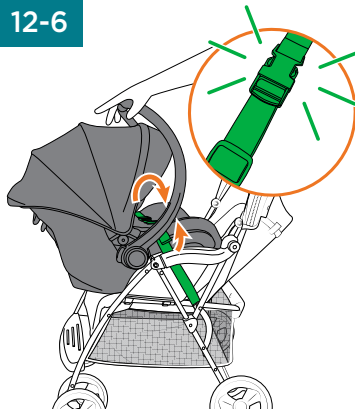


Feed strap under arm rest

12-5

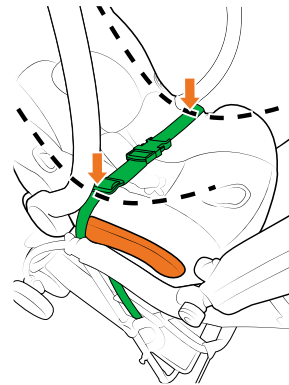


12-6



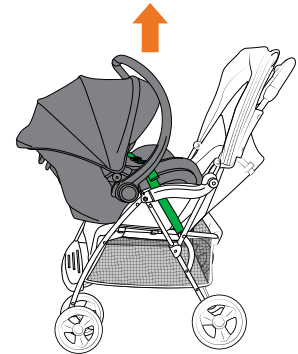
Adjust belt until the buckles almost touch.
Pull end tab of restraint belt to set.
Push buckles together to secure.

12-7



Lowest center point

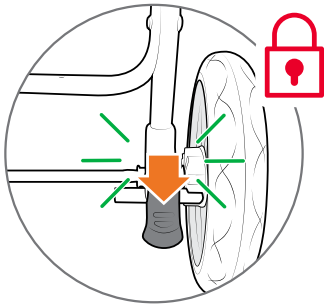
12-8



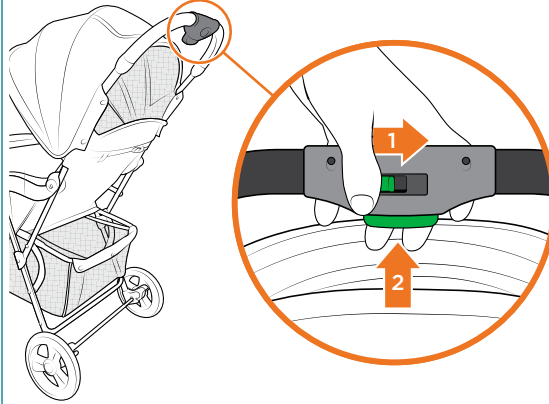
Store Infant Car Seat Straps when not in use

FOLD STROLLER

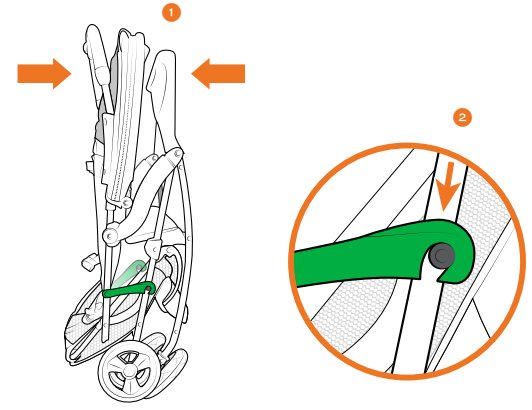
13-1



13-2



13-3



CARE & MAINTENANCE

- Clean plastic and metal parts with damp cloth and wipe dry.
- Spot clean fabric with mild soap and water solution.
- If stroller becomes wet, wipe with a soft cloth to prevent rusting on metal frame.
- When storing stroller, never stack other items on top of or in it; this may damage the stroller.
- Periodically check for worn parts, loose screws, or torn materials and stitching.
- Replace any damaged parts immediately.

Contours® - United States
1100 W Monroe St
Chicago, IL 60607

1-888-226-4469
customerservice@contoursbaby.com