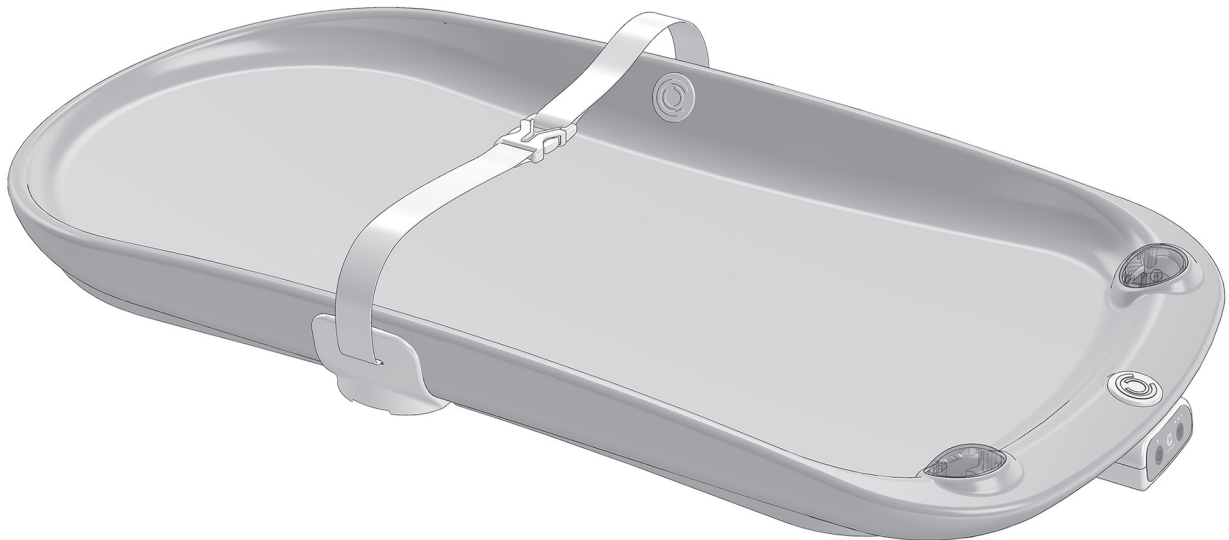


Contours™ Glow™

MOTION SENSING LIGHT-UP CHANGING PAD



WARNING

- Read all instructions before assembly and use of the changing pad.
- Failure to follow these warnings and instructions could result in serious injury or death.
- For your child's safety, read the labels and the instructions before using product.
- Keep these instructions for future use.
- Do not use changing pad if it is damaged or broken.
- Do not use with child over 30 lb
- For technical support, call 1-888-226-4469 or email customerservice@contoursbaby.com

CHOKING HAZARD-Small parts. This package contains small parts which, before assembly, present a choking hazard to children under the age of three.

- Adult assembly required.

FALL HAZARD. Children have suffered serious injuries after falling from changing tables. Falls can happen quickly.

- **STAY** in arm's reach of your child.
- **ALWAYS** secure this pad to the support surface by correctly using anchoring straps. See instructions. The non-secured anchoring strap shall be tucked under the changing pad.
- This pad is for use on a level, stable and structurally sound surface with minimum surface dimensions of 16.25 in. x 31.5 in.
- **ALWAYS** use restraint system when using this product.

SUFFOCATION HAZARD. Babies have suffocated while sleeping on changing pads. Changing Pads are not designed for safe sleep.

- **NEVER** allow child to sleep in changing area.

PARTS INCLUDED:

- Changing pad
- Screw
- Washer

NEEDED:

- Phillips screwdriver
- 3 "AA" batteries (not included)

CARE & MAINTENANCE

- Wipe clean with a damp cloth and mild soap.
- Do not submerge electronics.

PRODUCT REGISTRATION FOR SAFETY ALERT OR RECALL ONLY

We will use the information to contact you only if there is a safety alert or recall for this product. We will not sell, rent or share your personal information. To register your product, please visit our online registration at www.kolcraft.com/register

Contours® - North America
1100 W Monroe St
Chicago, IL 60607

1-888-226-4469
customerservice@contoursbaby.com



Love us . . . leave a review!



Escanee para obtener
instrucciones en español

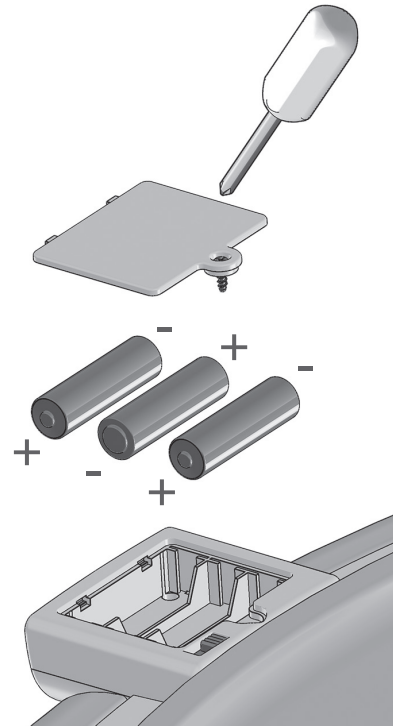
Model # : ZD002
D002-R3 08/2022

BATTERY INSTALLATION

1. Unscrew the battery door on the bottom of the electronic unit, with a Phillips screwdriver.
2. Insert 3 new “AA” batteries as shown.
Replace battery door and tighten the screw.

⚠ CAUTION

- To prevent battery leaks, which can burn skin and eyes:
- Remove batteries when storing product for a long time.
 - Dispose of used batteries immediately.
 - Always replace the entire set of batteries at one time.
 - Never mix old and new batteries, or batteries of different brands or types.

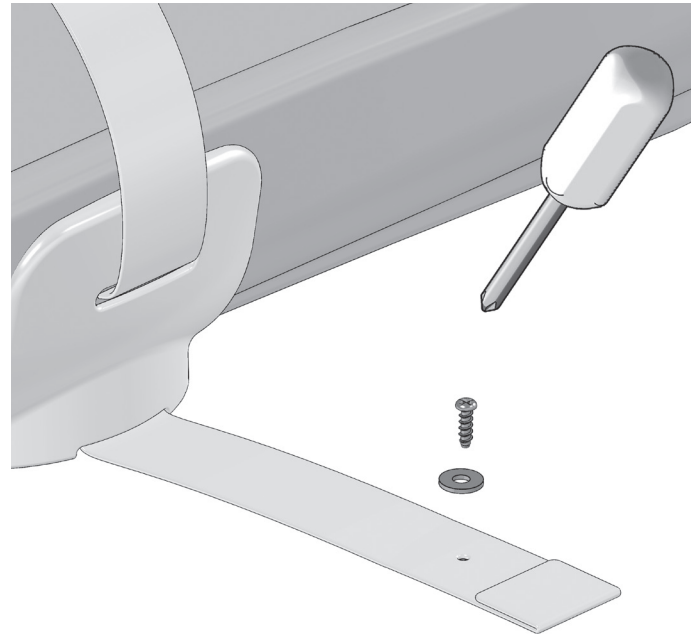


ATTACH CHANGING PAD TO SECURE SURFACE

Attach the changing pad to the changing surface by using the following instructions:

1. Use a screwdriver to attach the anchoring strap to the back of the changing table or dresser or to the wall.
2. Periodically check the anchoring strap to ensure it remains tight and securely attached to the changing table or dresser.
3. To remove the pad from the changing table or dresser, unscrew the mounting screw and store in a safe place.

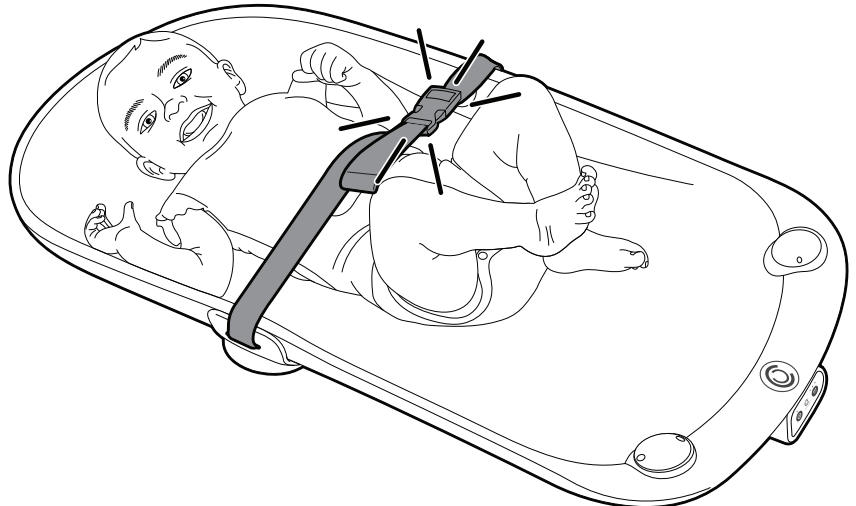
This pad includes two anchoring straps, one on either side of the changing pad, for flexibility. Only one anchoring strap needs to be attached to a dresser, changing table or wall. Tuck the other anchoring strap underneath the changing pad.



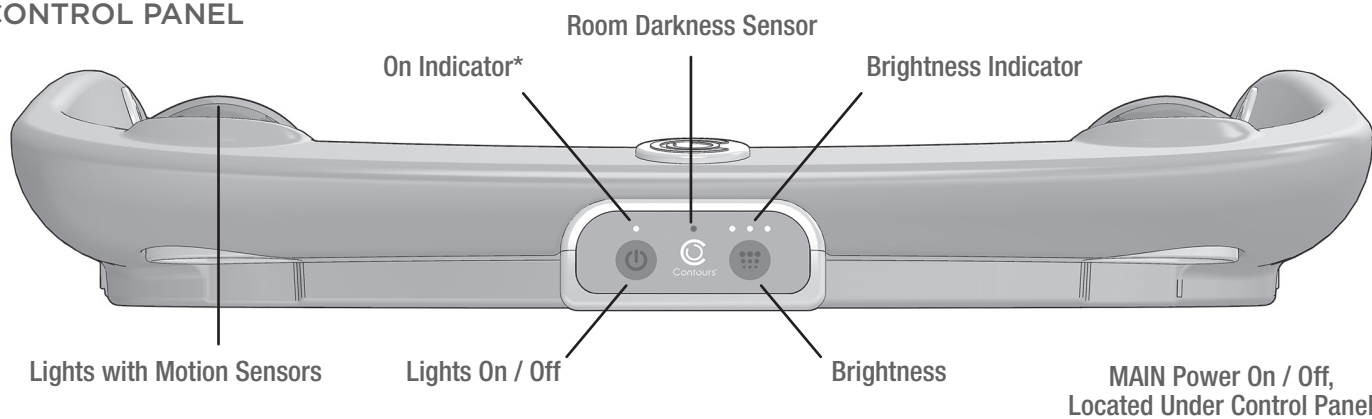
SECURELY RESTRAIN BABY ON CHANGING PAD

How to properly use the restraint system:

Align the restraint strap over baby's abdomen and buckle securely, adjusting and tightening for a snug fit. Always use enclosed restraint strap and keep one hand on baby when using this changing pad.



CONTROL PANEL

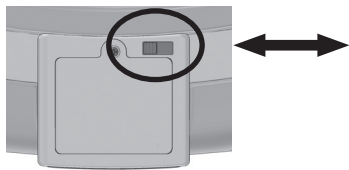




*Flashing red light indicates room is dark enough for lights to automatically turn on when baby is placed on pad.

If lights automatically turn on during the day or in a bright room, ensure that nothing is blocking the room darkness sensor.



OPERATION

Function	Action	
Turn MAIN power on or off	Slide the on/off switch located beside the battery door, underneath the control panel. Turn MAIN power off if not using pad for extended period of time to conserve battery life.	
Turn lights ON - Night Mode (MAIN power on)	Pad will sense when baby is placed on pad - Lights turn ON automatically - Lights turn OFF automatically, about 45 seconds after baby is removed (Press 'Lights On/Off' button to turn off sooner)	
Turn lights ON or OFF - Day Mode (MAIN power on)	Press "On/Off" button - Lights turn OFF after about 45 seconds - Or press button again to turn OFF	
Adjust brightness (low / medium / high)	Press "Brightness" button (default is "medium" setting)	

ENSURING OPTIMAL PERFORMANCE OF THE CONTOURS GLOW™ CHANGING PAD:

If the pad's lights turn on unexpectedly:

Ensure that nothing is blocking the room darkness sensor

Try positioning any video monitors away from the pad's room darkness and/or motion sensors

If the pad's lights do not turn on when expected:

Check that the main power switch is turned 'ON'

Ensure that 3 new, properly working 'AA' batteries are installed correctly

If the pad is close to a light source (window, night light), ensure the pad's room darkness sensor is facing away from the light source

If the On Indicator quickly flashes 6 times and then lights no longer turn on when:

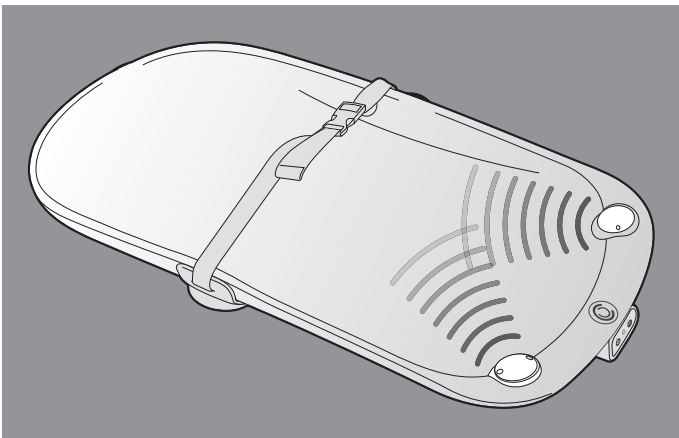
- Baby is placed on the pad
- Or if any button on the control panel is pressed

It is time to change the batteries. After the batteries are changed, be sure to turn the main power off and then back on again to resume normal function.

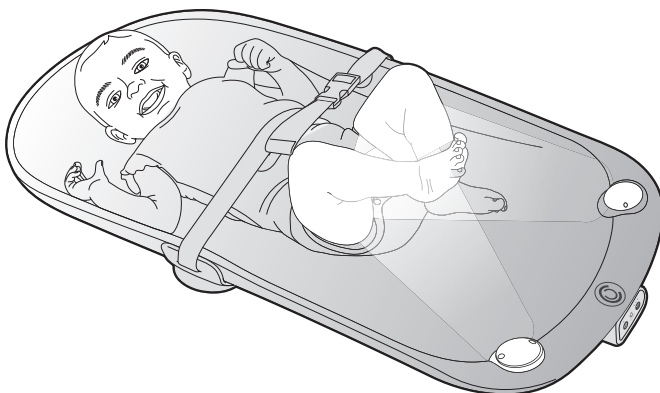
For further assistance with your changing pad:

Contact Contours customer service at 1-888-226-4469 or customerservice@contoursbaby.com. See ContoursBaby.com for the most up to date instructions.

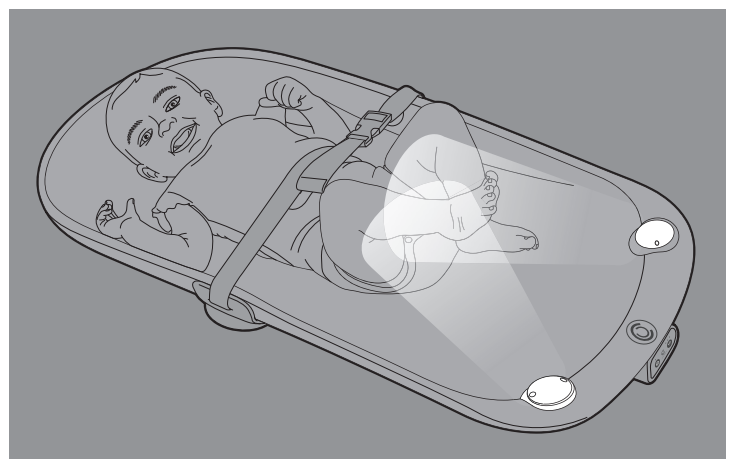
WHEN MAIN POWER TURNED ON, PAD SENSES FOR BABY IN DARK ROOM



LIGHT-UP MODES



With Baby, Bright Room
*See page 3 to turn on



With Baby, Darkened Room
Light Turns on Automatically