

Contours Graze™

2-STAGE WALKER



Scan for instructional video

Model # ZW002
W039-R1 01/2023

WARNING

Read all instructions BEFORE assembly and USE of the walker. Failure to follow these warnings and instructions could result in serious injury or death. For your child's safety, read the labels and the instructions before using product. Keep instructions for future use.

IMPORTANT SAFETY INFORMATION:

How to Keep Your Child Safe While Using this Product

- **NEVER** leave child unattended. Always keep child in view while **IN WALKER**.
- **CHOKING HAZARD-Small parts. ADULT ASSEMBLY REQUIRED.**

This package contains small parts which, before assembly, present a choking hazard to children under the age of three. Care should be taken during unpacking and assembly to ensure that all small parts and plastic bags are accounted for and kept out of the reach of children. All fasteners should be fully tightened.

STAIR HAZARD

- Avoid serious injury or death. Block stairs / steps securely before using this walker.
- Use only on flat surfaces free of objects that could cause this walker to tip over. Never use near stairs, steps, thresholds, hills, roadways, or pools.
- To avoid burns, keep child away from hot liquids, stoves, radiators, space heaters, fireplaces, etc.
- Discontinue using this walker should it become damaged or broken.
- Never carry this walker with child in it. Never adjust seat while child is in product.
- **DO NOT** lift or carry by tray.
- **DO NOT** use this walker until baby can sit up unassisted.
- To reduce the chance of child slipping out of seat, check that both feet of child touch the floor.
- Discontinue use of activity walker (seated stage) when your child can stand unaided, walk unassisted or lift the walker off of the floor.
- To maintain stopping performance, clean friction strips regularly with damp cloth.

Only use this activity walker (seated stage) if your child MEETS ALL of the requirements below:

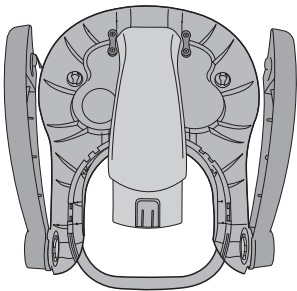
1. Can support body weight with legs
2. Weight is between 15 and 26 pounds.
3. Height is less than 32 inches and child is not able to stand flat footed while in the walker.

CARE & MAINTENANCE

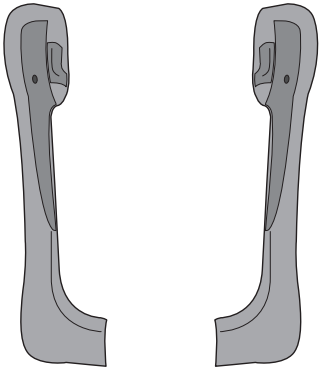
1. Plastic Parts: Wipe clean with mild soap and a damp cloth. Air dry.
2. Seat Pad: Machine wash in cold water in gentle cycle. Air or hang dry. **DO NOT** use harsh detergents or bleach. **DO NOT** dry clean.
3. Removable Insert Tray is dishwasher safe, top rack only.

NOTE: To maintain stopping performance, clean friction strips regularly with damp cloth.

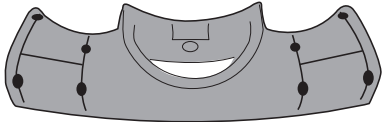
PARTS LIST



TRAY & LEGS



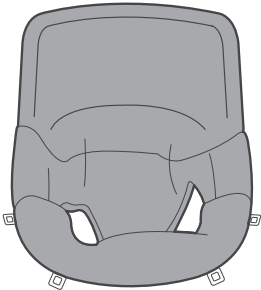
SIDE BASE LEGS (2)



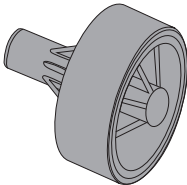
FRONT MOUNT



SCREWS (8)



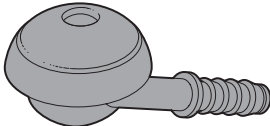
SEAT PAD



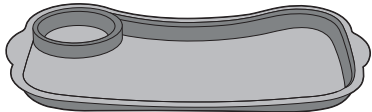
REAR WHEELS (2)



AXLES (2)



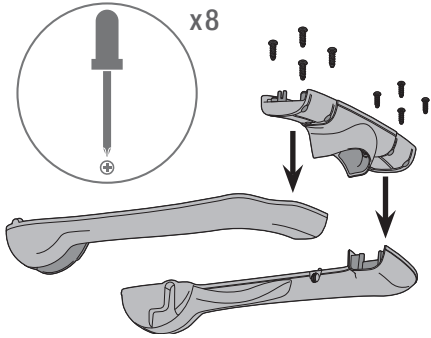
FRONT CASTERS (2)



REMOVABLE INSERT TRAY

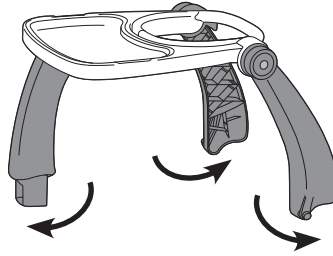
ASSEMBLE WALKER FRAME

1-1

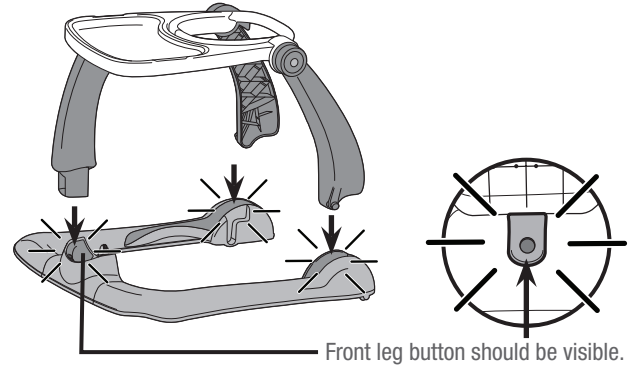


One-time assembly.

1-2

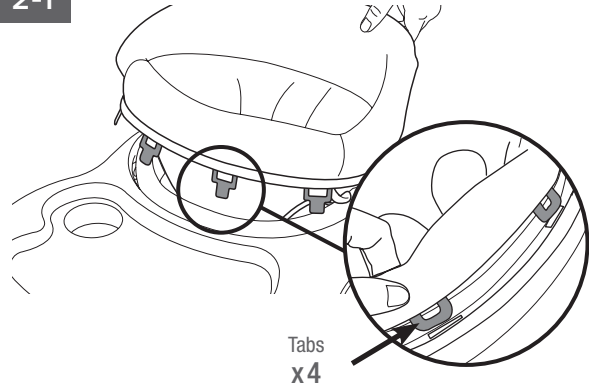


1-3



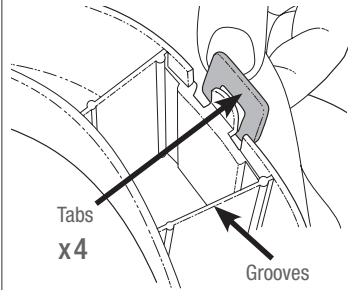
ATTACH SEAT PAD

2-1

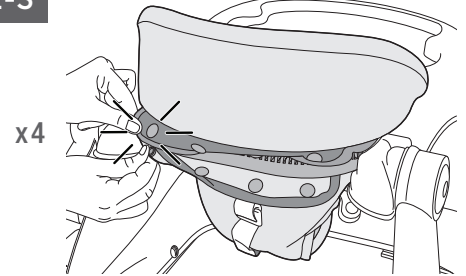


2-2

BOTTOM VIEW



2-3



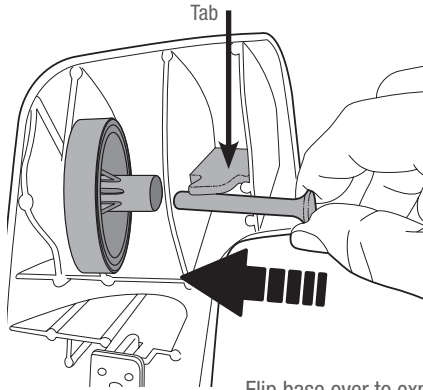
Test: Push down hard on seating area of seat pad to make sure seat is securely in place.

CAUTION: Do not use walker if all tabs are not secured properly, otherwise child may fall through walker.

ATTACH REAR WHEELS

3-1

x2

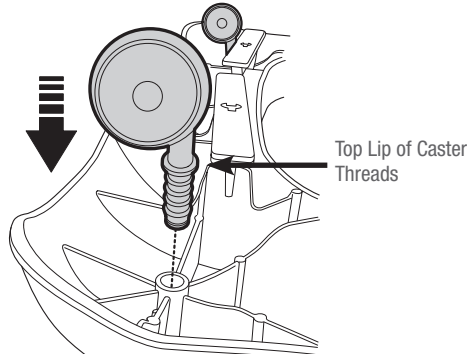


Flip base over to expose underside.
Note: Plastic tab may need to be pushed to the side to expose axle hole.

ATTACH FRONT CASTERS

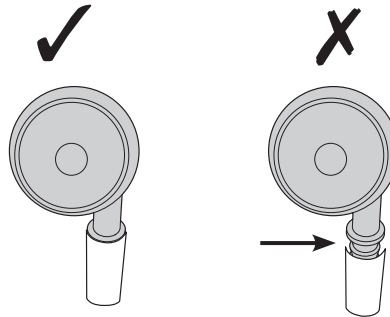
4-1

x2



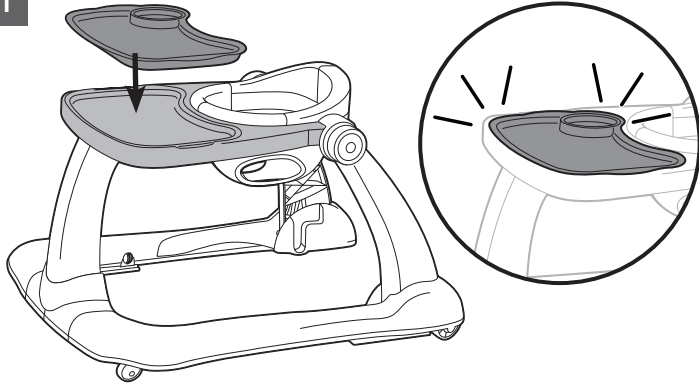
Test: Pull up on caster to make sure it is locked in place.

⚠ CAUTION



ATTACH REMOVABLE INSERT TRAY

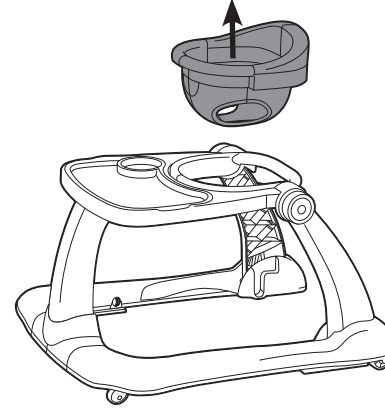
5-1



To Remove: Lift up on tray tabs.

CONVERT TO WALK-BEHIND WALKER

6-1

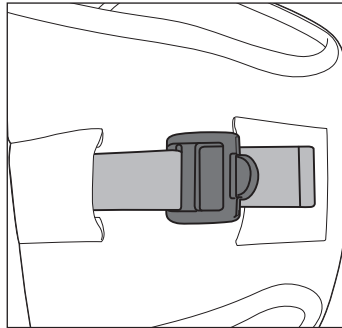


ADJUST SEAT PAD HEIGHT

7-1

⚠ WARNING

DO NOT disassemble or adjust height while baby is sitting in or near product. Always make sure seat pad is adjusted to the correct height position before placing child in product.



Note: As your child begins to grow, adjust height of walker via the seat pad so that their feet touch the ground when seated. To determine correct height after assembly, place child in walker and make sure both feet touch the ground.

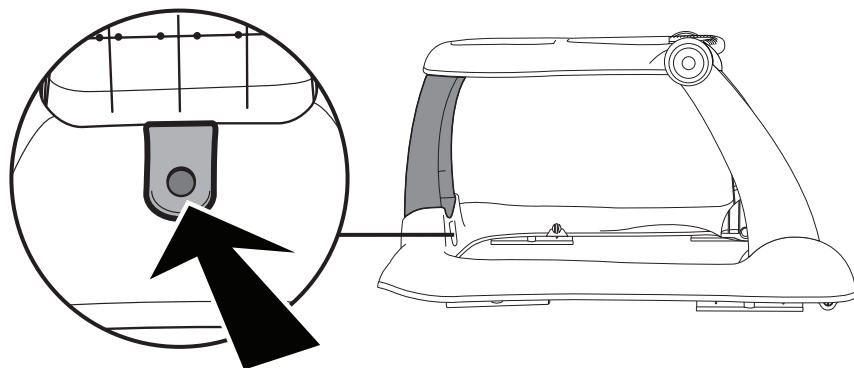
CAUTION: Child should not be in the walker during adjustment.

Note: To ensure proper operation, you will need to periodically adjust the height adjustment strap to accommodate your child's increased height. For smaller babies, seat pad should be extended to its lowest position. To adjust seat height, push button in on height adjustment strap to release webbing.

As baby grows, raise seat by tightening the height adjustment strap. This helps to prevent the child from placing their feet flat on ground and prevents your child from climbing out.

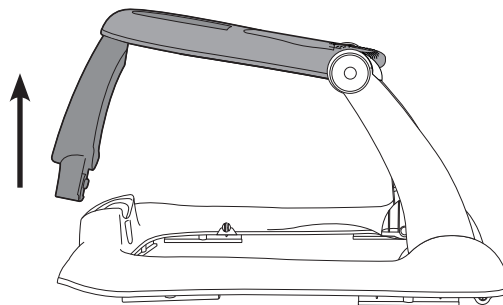
TO FOLD WALKER

8-1

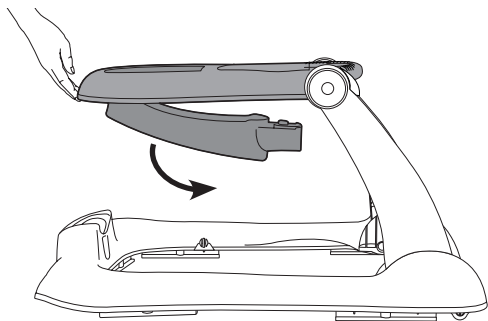


Push In Front Leg Button

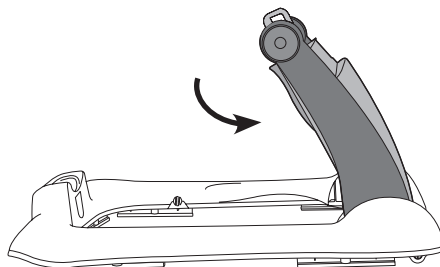
8-2



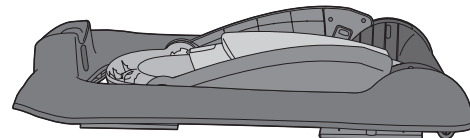
8-3



8-4



8-5



Contours® - United States
1100 W Monroe St
Chicago, IL 60607

1-888-226-4469
customerservice@contoursbaby.com